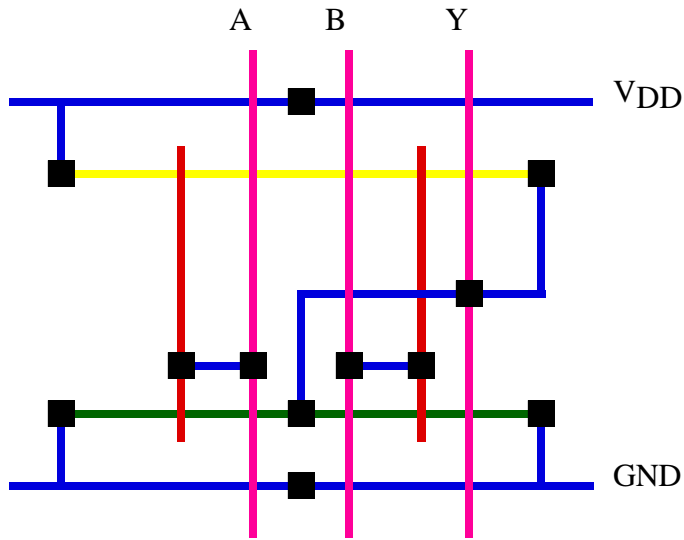


# NOR



**LEGEND**

- metal1
- metal2
- poly
- p+ diff
- n+ diff
- | m1-to-poly contact
- p+ diffusion contact
- n+ diffusion contact
- | m1-to-m2 contact
- GND ■ p-substrate contact
- VDD ■ n-well contact