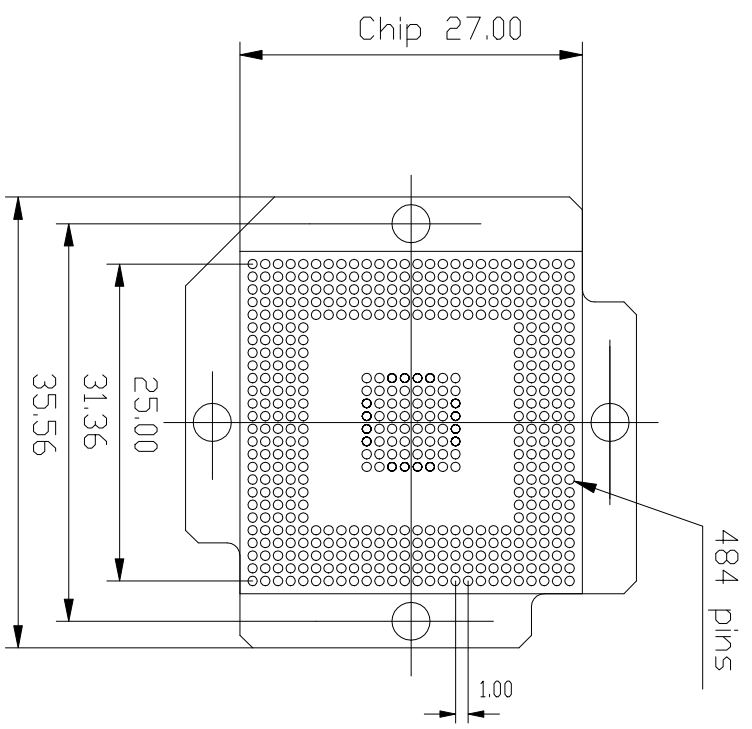
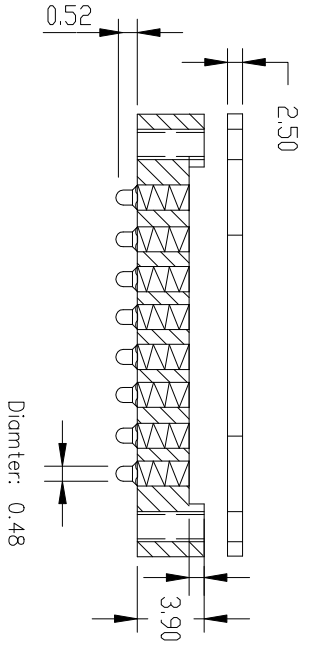


THE DRAWINGS AND INFORMATION CONTAINED HEREIN ARE THE EXCLUSIVE PROPERTY OF ACTEL. THE INFORMATION, DRAWINGS AND DESIGN CONCEPTS CONTAINED HEREIN ARE CONFIDENTIAL/PROPRIETARY AND SHALL BE MAINTAINED IN STRICT CONFIDENCE, AND SHALL NOT BE RELEASED TO ANY THIRD PARTY WITHOUT THE EXPRESS WRITTEN PERMISSION OF ACTEL.



E-TEC PATENTS PENDING

ECN NO.	REV.	DESCRIPTION OF CHANGE	EFFECTIVE DATE	ORIGINATOR
990301	0	Initial	12/07/99	L. Zhang

UNLESS OTHERWISE SPECIFIED DIMENSIONS ARE IN MILLIMETERS		PROJECTION		TITLE	
XX ±0.10	ANGULAR	APPROVALS	DATE	484-27x27mm, 1.00mm E-TEC FBGA SOCKET	
XXX ±0.05	±1°	DRAWN	8/31/99	ACTEL CORP	
XXXX ±0.03		Checked		995 E ARCADES AVE	
MATERIAL		ENG'R		SUNNYVALE CA 94086	
FINISH		RELEASED			
SEE NOTES				VENDOR NAME: E-TEC	
SEE NOTES				VENDOR (SUPPLY) NUMBER	
DO NOT SCALE DRAWING				VENDOR DWG NUMBER	
				ACTEL DWG NUMBER: 1-07-09039	
				REV: 0	
				REV: 0	
				ACTEL Part#: SE-7-G484	
				SCALE: NONE	
				SHEET 1 OF 2	

ACTEL CONFIDENTIAL