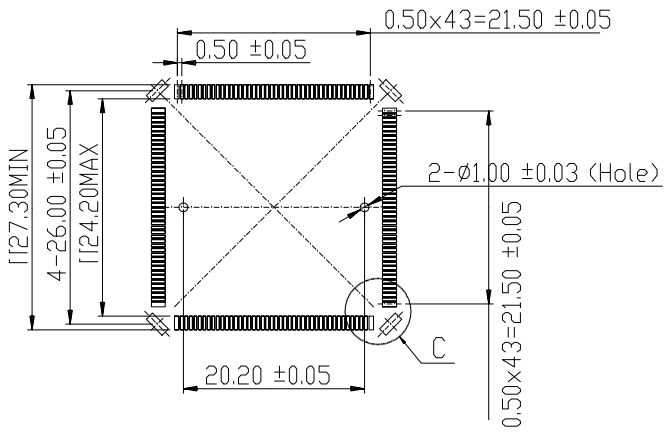


8 7 6 5 4 3 2 1

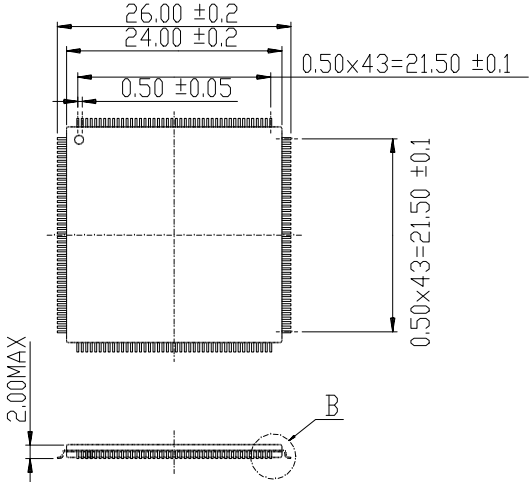
THE DRAWINGS AND INFORMATION CONTAINED HEREIN ARE THE EXCLUSIVE PROPERTY OF ACTEL. THE INFORMATION, DRAWINGS AND DESIGN CONCEPTS CONTAINED HEREIN ARE CONFIDENTIAL/PROPRIETARY. SHALL BE MAINTAINED IN STRICT CONFIDENCE, AND SHALL NOT BE RELEASED TO ANY THIRD PARTY WITHOUT THE EXPRESS WRITTEN PERMISSION OF ACTEL.

ECN NO.	REV.	DESCRIPTION OF CHANGE	EFFECTIVE DATE	ORIGINATOR
10709015/0	0	Initial	3/15/97	Thomas
980320	1	New form	10/16/98R	Kuang

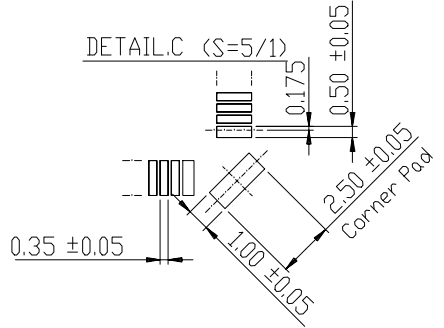
Recommended PCB Layout



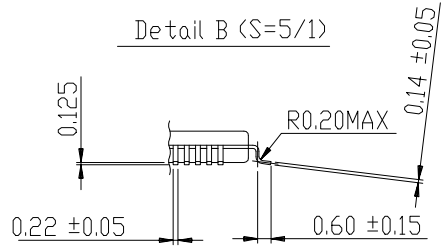
Applicable IC Dimension



DETAIL C (S=5/1)



Detail B (S=5/1)



UNLESS OTHERWISE SPECIFIED DIMENSIONS ARE IN MILLIMETERS		PROJECTION		ACTEL CORP 955 E ARQUES AVE SUNNYVALE CA 94086			
DECIMAL	ANGULAR			TITLE			
X.X ±0.10	±1°	APPROVALS	DATE	Yamai chi TQ176			
X.XX ±0.05		DRAWN		Surface Mount Socket			
X.XXX ±0.03		CHECKED		VENDOR NAME:	N/A	ACTEL DWG. NUMBER	1-07-09015
		ENG'R		SIZE	B	VENDOR SID(PART) NUMBER	IC149-176-166-S5
		RELEASED				VENDOR DWG. NUMBER	N/A
MATERIAL	SEE NOTES			Actel Part#:	SY-TQ176	SCALE:	NONE
FINISH	SEE NOTES						SHEET 2 OF 2
DO NOT SCALE DRAWING							

ACTEL CONFIDENTIAL

8 7 6 5 4 3 2 1