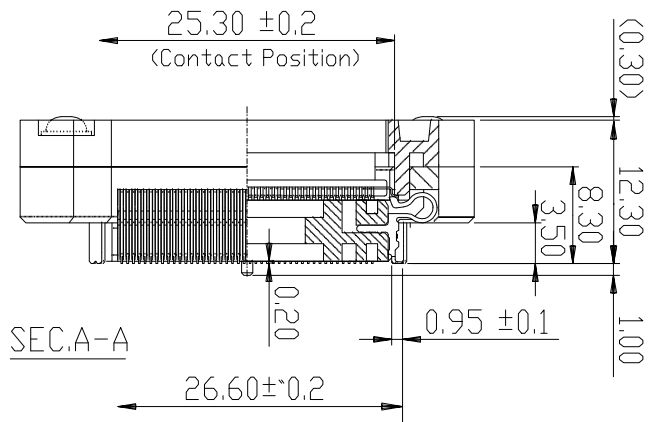
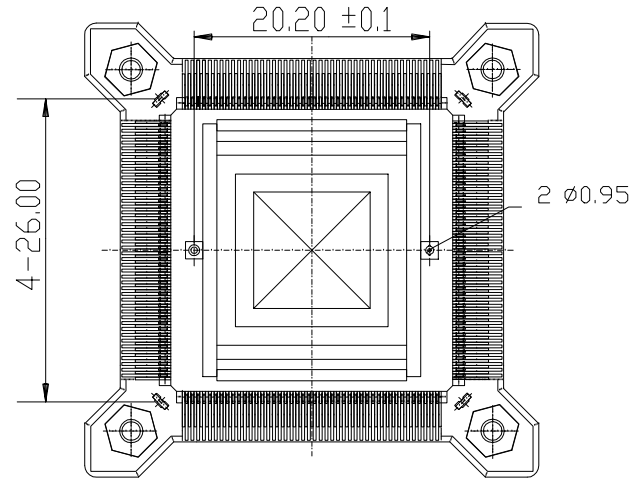
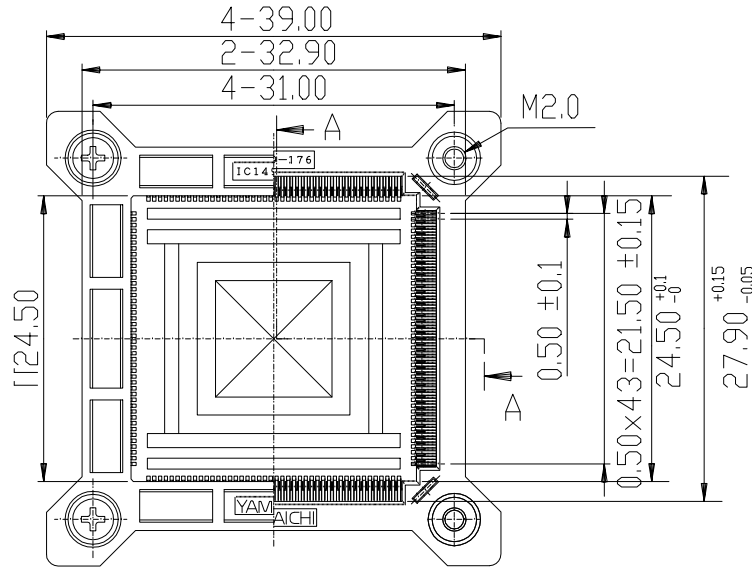


THE DRAWINGS AND INFORMATION CONTAINED HEREIN ARE THE EXCLUSIVE PROPERTY OF ACTEL.
 THE INFORMATION, DRAWINGS AND DESIGN CONCEPTS CONTAINED HEREIN ARE CONFIDENTIAL/PROPRIETARY. SHALL
 BE MAINTAINED IN STRICT CONFIDENCE, AND SHALL NOT BE RELEASED TO ANY THIRD PARTY WITHOUT THE EXPRESS
 WRITTEN PERMISSION OF ACTEL.

ECN NO.	REV.	DESCRIPTION OF CHANGE	EFFECTIVE DATE	ORIGINATOR
10709015/0	0	Initial	3/15/97	Thomas
980320	1	New form	10/16/98R	Kuang



Notes:

1. Controlling dimensions are in millimeters.
2. Yamaichi socket number IC149-176-166-S5
3. Make 2 holes on PCB when you use socket with the guide pin. Do not plate the inside of the holes.

ACTEL CONFIDENTIAL

UNLESS OTHERWISE SPECIFIED DIMENSIONS ARE IN MILLIMETERS DECIMAL ANGULAR X.X ± 0.10 ± 1° X.XX ± 0.05 X.XXX ± 0.03	PROJECTION 		ACTEL CORP 955 E ARQUES AVE SUNNYVALE CA 94086 	
	APPROVALS DRAWN R. Kuang	DATE 9/9/98	TITLE Yamaichi TQ176 Surface Mount Socket	
MATERIAL SEE NOTES	CHECKED ENC'R RELEASED	VENDOR NAME: Yamaichi	ACTEL DWG. NUMBER 1-07-09015	REV 1
FINISH SEE NOTES	DO NOT SCALE DRAWING	SIZE B	VENDOR SID(PART) NUMBER IC149-176-166-S5	VENDOR DWG. NUMBER N/A
		Actel Part#: SY-TQ176	SCALE: NONE	SHEET 1 OF 2