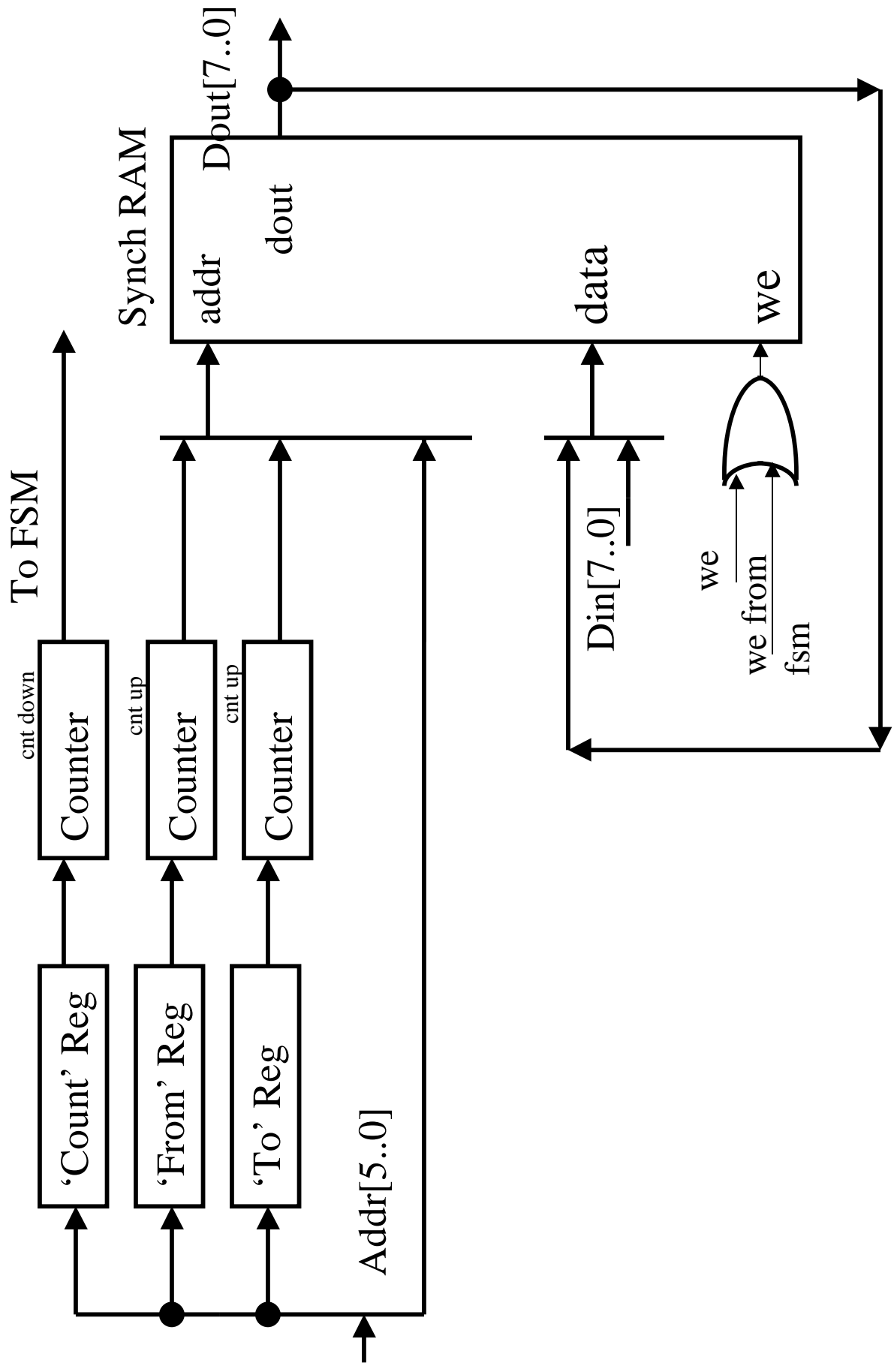
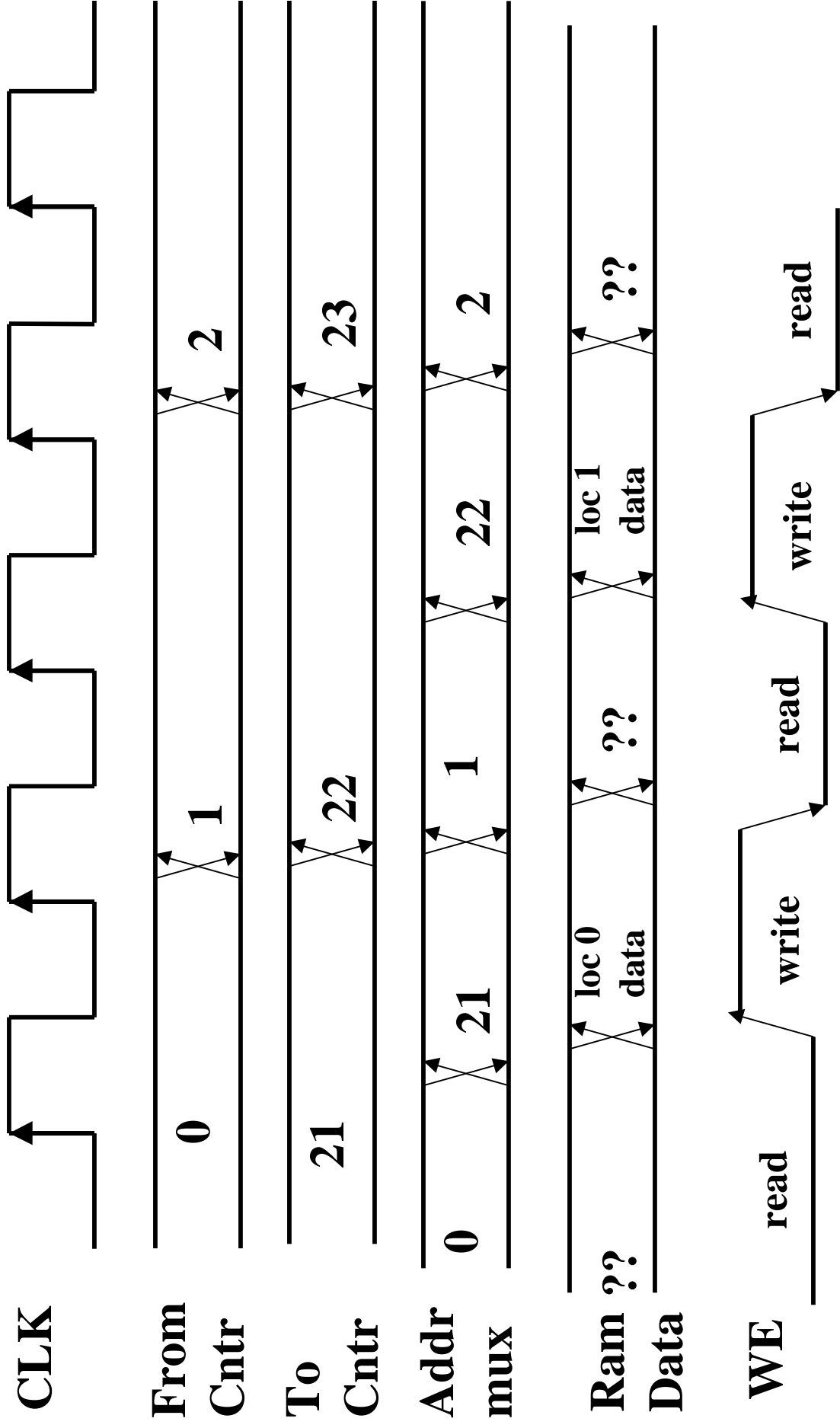


Block Transfer Datapath



Comments on Block Xfer Datapath

- The 'count' register holds the number of bytes to transfer
- The 'from' reg has the starting address of where the data is to be copied from. The 'to' reg has the starting address of where the data is to be copied to.
- Will take two clock cycles for each transfer operation
- FSM can check value of counter or can use external comparator.



Two clock cycles for each transfer operation